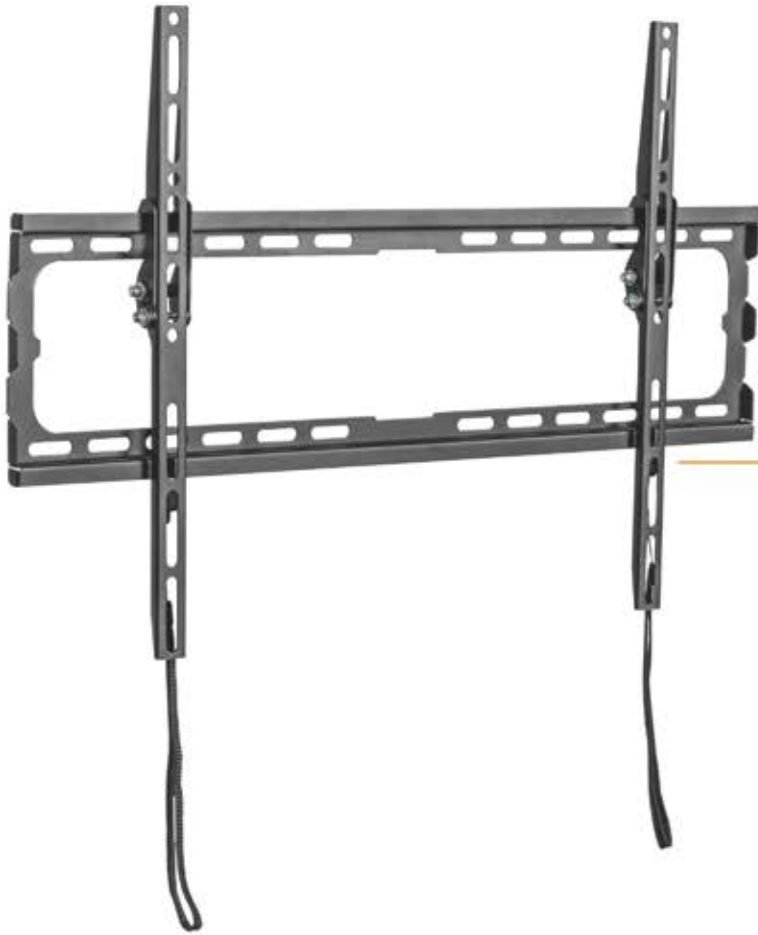


KL32 Series

Super Economy Low-Profile Fixed & Tilt TV Wall Mounts

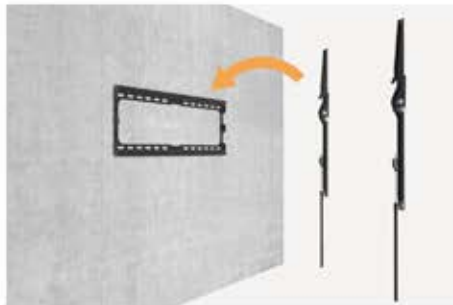


Cheap products with all the bells & whistles are still trash-however, the KL32 Series Super Economy Low-Profile TV Wall Mounts aren't one of them. Coming with unbelievable affordability, the KL32 Series still features ultra-slim design, durability, reinforced TV protection and considerate packaging size. Bolster your sales with the KL32 Series to win the competition!

Automatic Spring Lock
helps TV brackets snap into place for extra safety
(only KL32-44T/46T)



Ultra-Slim Design
seamlessly aligns the TV with the wall



Simple Construction
ensures a quick and easy installation



Open Architecture
provides easier access to wiring



Convenient Rail Screws
securely and safely hold the TV in place
(only KL32-22T/22F/44F/46F)

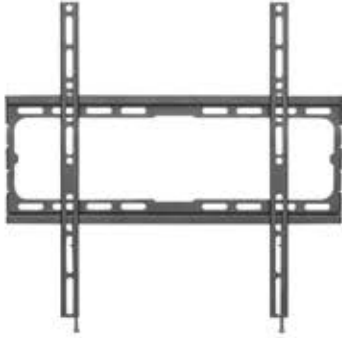


Reduced Package Size
reduces shipping and storage fees, perfect for e-commerce sellers
(only KL32-22T/22F/44T/44F)

KL32 Series

Super Economy Low-Profile Fixed & Tilt TV Wall Mounts

KL32-44F



Screen Size
32"-70"



Max VESA
400x400



Profile to Wall
20mm



Weight Capacity
45kg/99lbs



Strength Tested
4x
Four Times

